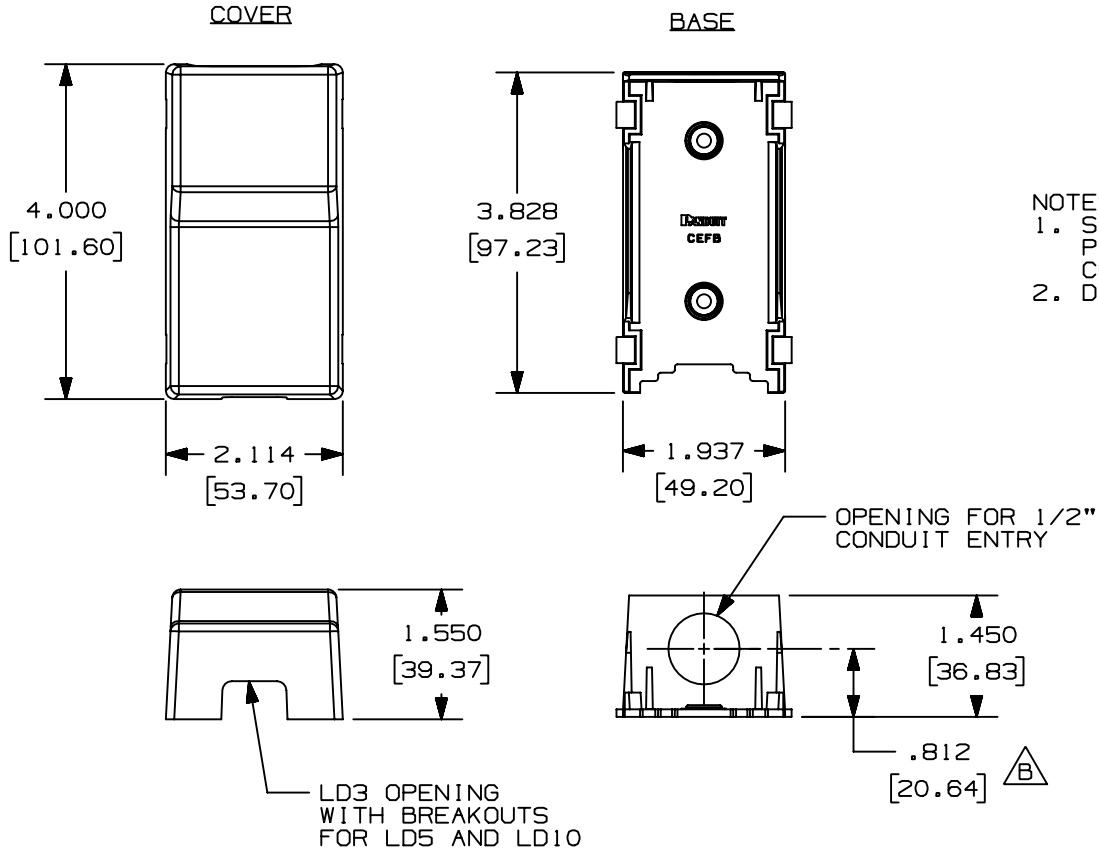
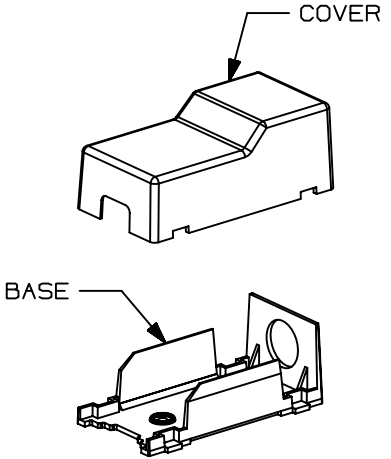


THIS COPY IS PROVIDED ON A RESTRICTED BASIS AND IS NOT TO BE USED IN ANY WAY DETRIMENTAL TO THE INTERESTS OF PANDUIT CORP.



PANDUIT P/N	WEIGHT
CEFX-X	.143 lbs [64.88 g]

NOTES:
 1. SEE CURRENT CATALOG FOR ADDITIONAL PART NUMBER SUFFIXES TO INDICATE COLOR AND/OR PACKAGE QUANTITY.
 2. DIMENSIONS IN PARENTHESIS ARE METRIC.



CAD FILENAME/LAYERS		D38913AB_DC_CEFX_04D.PRT							
<h1>PANDUIT</h1> CORP. TINLEY PARK, ILLINOIS									
CONDUIT ENTRANCE FITTING BASE AND COVER (CEFX) CUSTOMER DRAWING									
UNLESS OTHERWISE SPECIFIED, DIMENSIONAL TOLERANCES ARE:		UNLESS OTHERWISE SPECIFIED, ALL DIMENSIONS ARE GIVEN IN INCHES, THIRD ANGLE PROJECTION.							
(.X) ± .010 (.XX) ± .010 (.XXX) ± .005 ANGLES ± 1°		NONE							
DRAWN BY	JHEP	MAT'L:	PVC						
DATE	08-17-04		DRAWING NO.						
CHK'D	RMHI		38913-03						
REV	DATE	BY	CHK	DESCRIPTION	ECN	CHK	CUST	SUP	DWG SIZE
3	01-17-05	JHEP	RMHI	B. ADDED DIMENSION	38913-03	RGRO	RGRO		A
2	12-21-04	JHEP	RMHI	A. ADDED MATERIAL INFORMATION	38913-03	RGRO	RGRO		A
1	11-29-04	JHEP	RMHI	RELEASED TO PRODUCTION	38913-03	RGRO	RGRO		A
R	08-17-04	JHEP	RMHI	DRAWING RELEASED					A